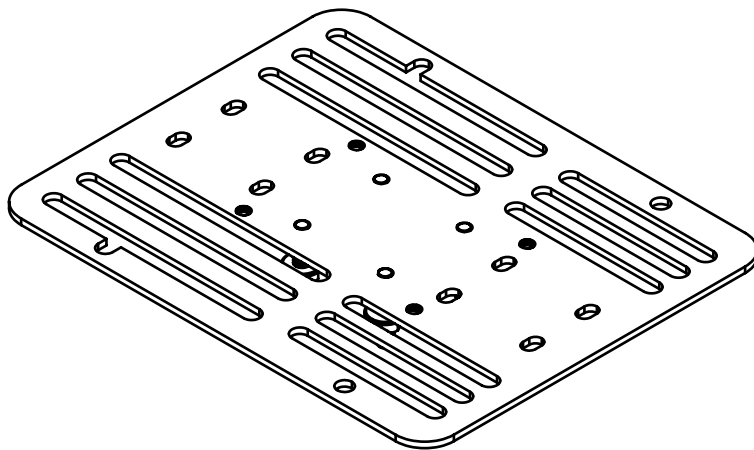


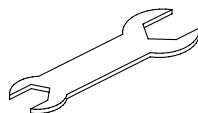
# UNIVERSAL HANDBRAKE PLATE

## INSTRUCTION MANUAL

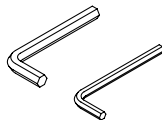


### IN THE BOX

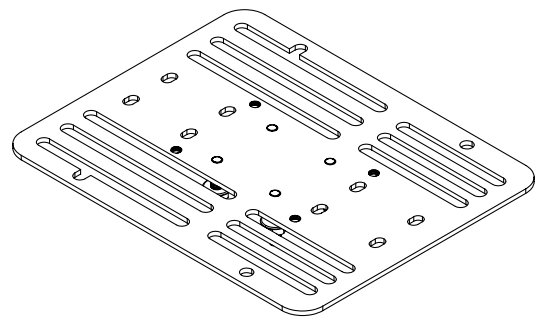
*NOTE: Some Items Come with  
Rust Resistant Coating*



x1

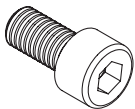


x1



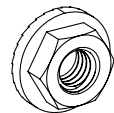
**P1** x1

x10



**A** - M6 16mm

x12



**N** - M6

x10



**W** - M6

If you require any support with your product  
please contact our friendly team at:  
[support@nextlevelracing.com](mailto:support@nextlevelracing.com)



@next\_level\_racing



@nextlevelracingOfficial



bit.ly/NLRowner



@nextlvlracing



Next Level Racing



[support@nextlevelracing.com](mailto:support@nextlevelracing.com)



**FOLLOW  
US**

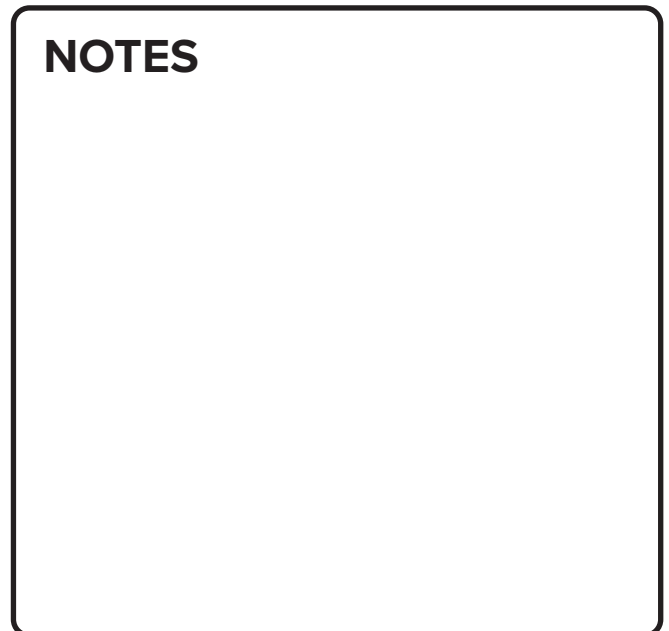
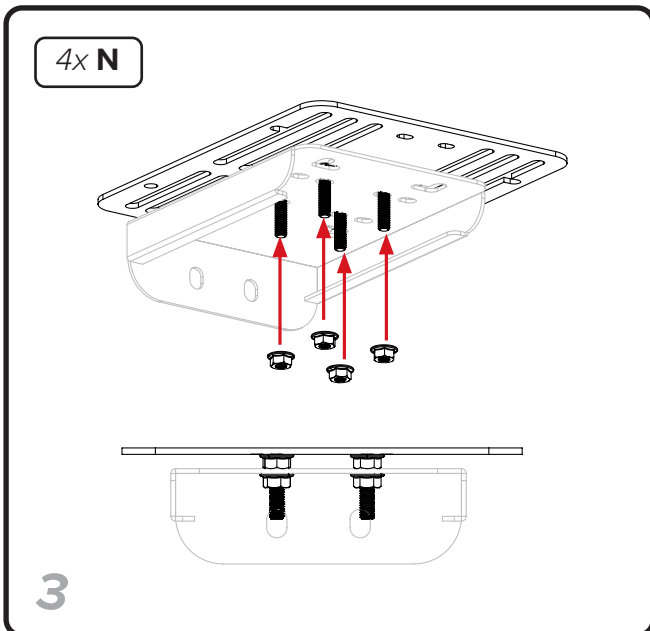
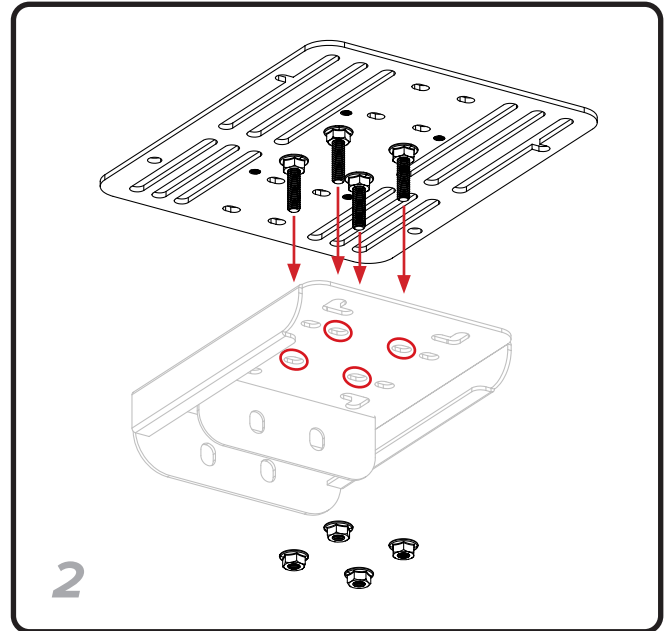
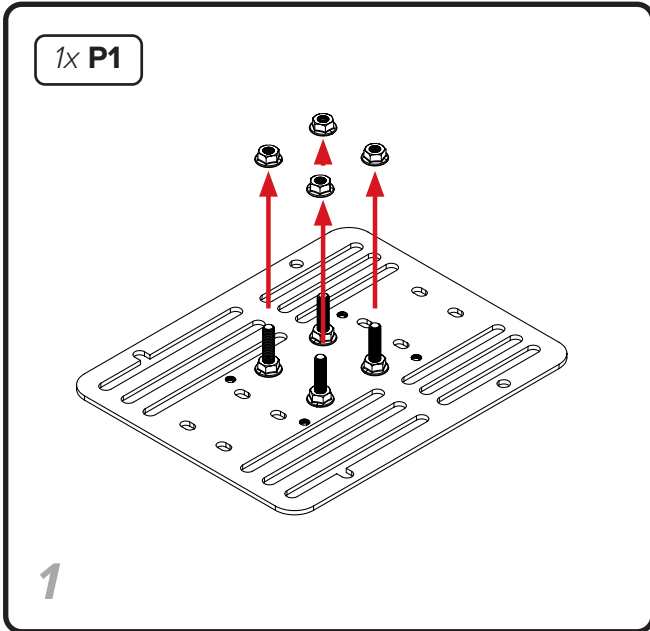


### WARNING

**CHOKING HAZARD** - Small parts not for children under 3 years  
or any individuals who have a tendency to place inedible objects  
in their mouths.

# COMPATIBLE NLR PRODUCTS

- F-GT
- GT Lite & F-GT Lite
- Challenger
- Wheel Stand 2.0



ASSEMBLY VIDEO

[bit.ly/nlrbuild](https://bit.ly/nlrbuild)

This block contains a QR code on the left, a red play button icon with the text 'ASSEMBLY VIDEO' on the right, and the URL 'bit.ly/nlrbuild' at the bottom.