

CONTENTS

1	Introduction	3
1.1	General Safety Instructions	4
1.2	Grounding Instructions	5
1.3	Ergonomic and Health Warnings	5
2	Liability Disclaimer	6
3	Cockpit Compatibility	6
3.1	Next Level Racing GTultimate	6
3.2	Next Level Racing GTtrack	7
4	Installation	8
4.1	Assembly Parts	8
4.2	Technical Data	8
4.3	Limitations	9
4.4	Built-in Power Supply Specification	9
4.5	Dimensions	10
4.6	Tactile Transducer Installation	11
4.7	Motion Platform Installation	11
4.8	Seat Belts Installation	13
4.9	Ferrite Core Installation	13
4.10	Connecting to PC and Software Installation	14
5	Maintenance	15
6	Conformity Information	17
7	Environmental Impact and Disposal	17
8	Warranty	18
9	Troubleshooting and Support	19
10	Customer Feedback	20



CAUTION



READ ALL SAFETY INSTRUCTIONS BEFORE
INSTALLING AND USING THIS PRODUCT.
Save this document for future reference.
If you transfer ownership of this product,
be sure to include the instructions.



1 Introduction

Next Level Racing would like to thank you for choosing the Next Level Motion Platform V3, a revolutionary product developed in cooperation with leading motion physics researchers, simulation experts, software engineers, and professional drivers and pilots. Our V3 motion platform has been designed to deliver the most physically accurate, realistic, and immersive experience. If you have any questions, email us at support@nextlevelracing.com.

Warning: The Next Level Motion Platform is not intended for use by children under 16 years of age. Close supervision and safety instruction is necessary when this product is used by or near children or persons with reduced physical, sensory, or mental capabilities. Keep the packaging away from small children as it poses a suffocation risk.

Notice: The platform may interfere with nearby sensitive radio-television appliances.

1.1 General Safety Instructions

To reduce the risk of burns, fire, electrical shock, or injury:

- Use the platform for its intended use only, according to the instructions.
- Always turn all switches off and unplug the platform from the electrical outlet before hardware installation, maintenance, servicing, or repairs. Hazardous voltages may still be present in the power supply even several minutes after it has been turned off.
- Indoor use only - do not store or use the product outdoors.
- Keep the platform away from heat sources, high humidity, water, and other liquids. Do not store in a very cold space where condensation may occur.
- Keep all component guards and shields in place and do not touch the internal components when the platform is powered on.
- Do not disassemble the product. Any tampering with or altering the product will void the warranty, poses a serious risk of electric shock, and may irreparably damage the product.
- Do not cover the vents.
- Keep the power cord plug and the socket clean and dust-free.
- Protect the power cord from damage by being stepped on, rubbed against, or pinched.
- Do not use the platform if the ambient temperature is below 4 degrees of Celsius or above 45 degrees of Celsius.
- Do not use the platform and contact technical support at **support@nextlevelracing.com** if it has been damaged, or any component is broken or missing.
- Stop using the platform immediately and contact technical support at **support@nextlevelracing.com** if you notice or smell smoke, hear unusual noise, or otherwise suspect that it is not working properly.
- Do not use attachments or replacement parts not recommended or approved by the manufacturer. Do not replace the power cables provided with the product. Use certified power and USB cables only.
- Connect the platform to a properly grounded outlet only, paying attention to the polarity of the socket. See grounding instructions.
- Turn the platform off when not in use.
- Unplug the platform from the power source if not used for an extended period of time or during a lightning storm.

- Any warranty and non-warranty repairs must be performed by the distributor's service department or a specialized servicing contractor authorized by the manufacturer.

1.2 Grounding Instructions

In the event of a system malfunction or breakdown, grounding provides a path of least resistance for electric current to reduce the risk of electric shock. The platform is equipped with an electric cord having an equipment-grounding conductor and a grounding plug. The plug must be plugged into a matching outlet that is properly installed and grounded in accordance with all local codes and ordinances. Do not modify the plug provided - if it will not fit the outlet, contact technical support at support@nextlevelracing.com.

1.3 Ergonomic and Health Warnings

The safety and comfort of our customers is our top priority. It may be tempting to keep using the platform for extended periods of time, but please use your best judgement when allocating time to spend with this product.

Warning: By its nature, the Next Level Motion Platform can perform forceful, rapid movements. We have made every effort to protect users and bystanders from injury due to mechanical parts movement and electrical connectivity. As with any mechanical device, the user is responsible for inspecting the condition of the machine prior to use and adhering to safe operating procedures.

Warning: Repetitive motion, force feedback vibrations, and/or continuous muscle tension may lead to injuries if the platform is used for extended periods of time. To avoid it:

- Keep the total time you spend using the product within reasonable limits.
- Take at least 10-minute rest break for every hour of using the platform to stretch out.
- Use the chair provided with the system. If possible, adjust the seat to

- avoid excess bending or reaching.
- Use correct posture that feels comfortable.
- Try to alternate experiences: switch between games that offer varied sensations.

If you are under a doctor's care for any muscle or joint condition, or if you think you may have any such condition, please consult your physician before using the platform. Stop using the platform immediately if you start feeling pain.

2 Liability Disclaimer

Next Level Racing, Motion Systems, and their partners are not liable and shall not be held responsible for any injury, death, loss, expense, or damage suffered or incurred by any person using the platform if it is the result of improper assembly, abuse, misuse, modification, tampering, or applying components not shipped with the product.

3 Cockpit Compatibility

The Next Level Racing Motion Platform is designed specifically for the Next Level Racing GTultimate and Next Level Racing GTtrack cockpits, but it can be adapted to other cockpits. For certain brands of cockpits, we provide adapter plates - for other cockpits, custom assembly might be required.

3.1 Next Level Racing GTultimate

The platform is designed to be installed between the frame that is under your Next Level Racing GTultimate seat and attached to your side plates provided with each platform. Detailed steps are presented in the next chapter of this user manual.

3.2 Next Level Racing GTtrack

Refer to the Next Level Racing GTtrack Installation Manual for details.

4 Installation



Please be sure to take note of your serial number before installation as you require this to download your software.

The Next Level Motion Platform is suitable for indoor use only. It is intended for personal use, but it may be suitable for certain commercial applications. Please contact us at support@nextlevelracing.com if you are looking to use the platform for your business.

4.1 Assembly Parts

- Motion unit with embedded 24 VDC power adapter
- Power and USB cables
- Ferrite core for power cable
- Set of nuts and bolts
- Product Manual
- Butt kicker Gamer 2 adapter
- Side panels to attach to GTultimate

4.2 Technical Data

- Power source: 100 – 240V, 50 – 60Hz, 3.6A
- Rated power: 240W
- Protection Class: I
- Maximum payload: 130kg
- Unit dimensions: 460 x 350 x 200 mm
- Unit weight: 24kg
- Maximum USB cable length: 2m
- Maximum power cable length: 2m

4.3 Limitations

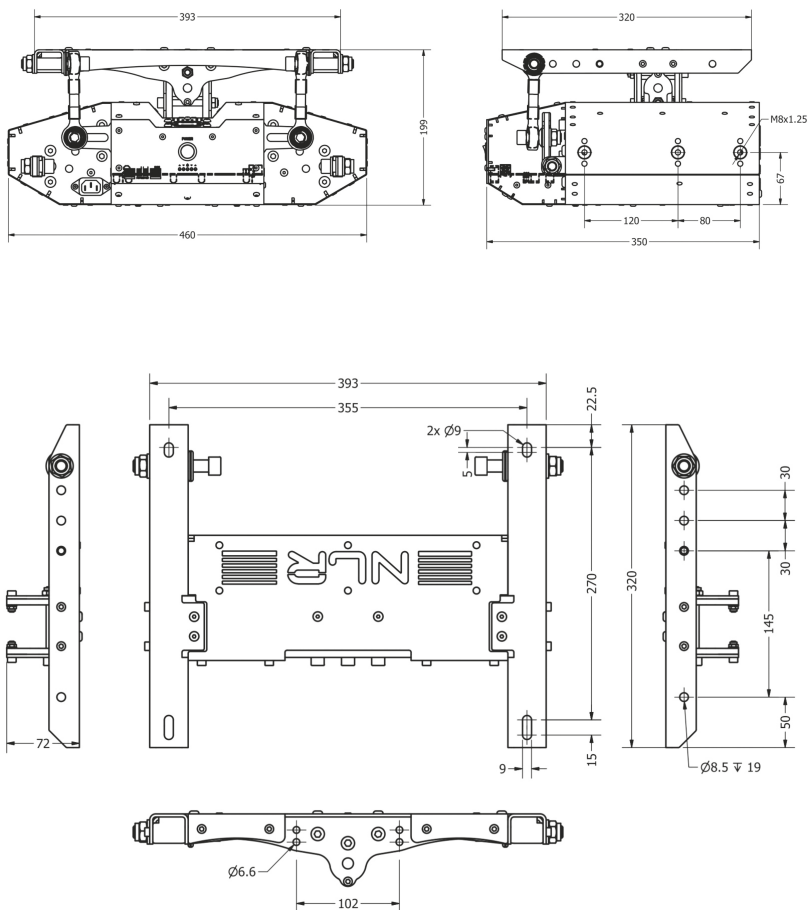
- No vibration generating devices (except tactile transducers) can be attached to the top frame.
- Maximum allowable total weight of all tactile transducer attached to the top frame: 2.3 kg (5.0 lbs)
- The top frame movements cannot be limited by any obstacles.
- Seat belts and harness tensioners must NOT be attached to any static part of the cockpit.

4.4 Built-in Power Supply Specification

- Active PFC function
- Protections: short circuit, overload, over voltage, over temperature
- Safety standards: UL60950-1, TUV EN60950-1 approved
- Withstand voltage: I/P-O/P:3KVAC, I/P-FG:1.5KVAC, O/P-FG:0.5KVAC
- Isolate resistance: I/P-O/P, I/P-FG, O/P-FG:100MOhms/500VDC/25C/70% RH
- EMI conduction & radiation: Compliance to EN55022 (CISPR22) Class B
- Harmonic current: Compliance to EN61000-3-2,-3
- EMS immunity: Compliance to EN61000-4-2,3,4,5,6,8,11; ENV50204, EN55024, light industry level, criteria A

4.5 Dimensions

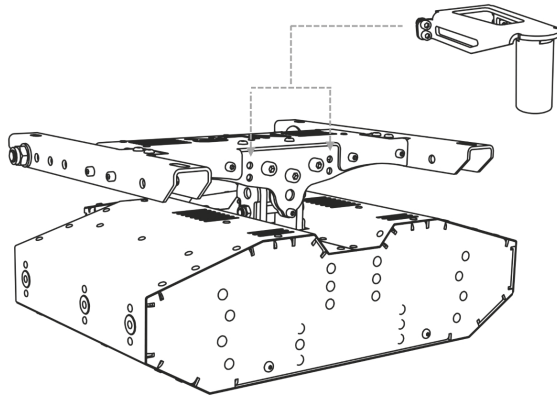
All dimensions are provided in millimeters.



4.6 Tactile Transducer Installation

Before you attach the Next Level Motion Platform to your cockpit, it is recommended to attach the Buttkicker adapter first. The Buttkicker Gamer 2 or other tactile transducer can be attached to the platform using a dedicated adapter, included with the product.

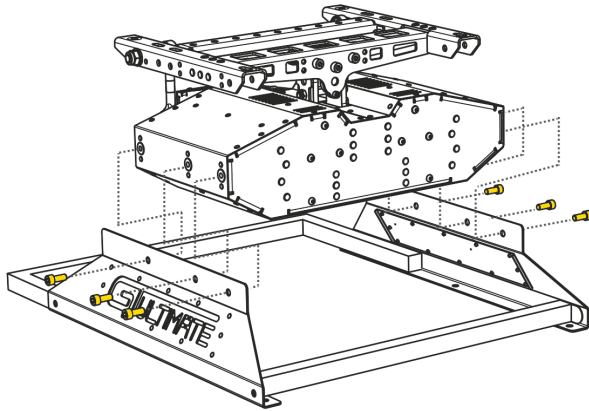
1. Install the adapter, using 4 attached bolts and nuts (M6 x 16mm)



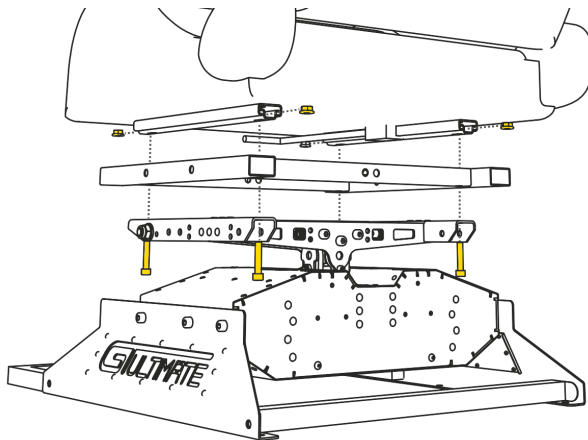
2. Attach the Buttkicker Gamer 2 to the adapter. Refer to the Buttkicker User Manual instruction.
3. If an alternative tactile transducer is used, maximum weight of the device that can be installed to the motion platform is 2.3 kg (5.0 lbs).

4.7 Motion Platform Installation

1. Remove 4 screws holding the original GTultimate side panels in place.
2. Replace the original side panels with the ones included with the platform to lower the seat.
3. Install the motion unit between the side panels, using 6 included bolts (M8x20mm). The power switch should be located on the front of the motion unit.



4. Unscrew the under-seat frame from the seat rails, leaving the rails in place. DO NOT remove any screws that keep the seat rails attached to the chair!
5. Attach the top frame of the motion unit to the original under-seat frame and the seat rails using 4 original GTultimate bolts.



4.8 Seat Belts Installation

Refer to the Seat Belts Installation Manual for details. If you require an assistance regarding correct seat belt installation, contact technical support at support@nextlevelracing.com.

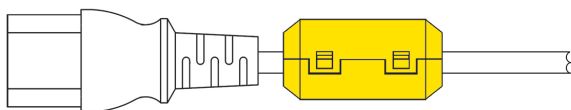
Do not, under any circumstances, attach seat belts to side plates or motion platform base.

Seat belts can be attached only to the top frame of the Motion Platform or frame attached to seat.

The same limitation applies to seat harness tensioners.

4.9 Ferrite Core Installation

Once you choose which power cable will be used in your setup, install the attached ferrite core. Make sure to place the core on the power cable as close to the motion platform as possible.



4.10 Connecting to PC and Software Installation

Once the motion platform is securely installed:

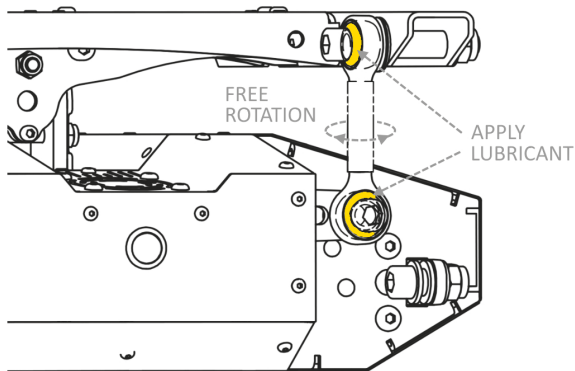
1. Plug in the power cord and turn on the motion unit. As soon as it is on, the platform will perform the initial position calibration, moving the seat. After a few seconds, the green light will come on, indicating that the unit is ready to use.
2. Connect the platform directly to PC USB port. Using a USB hub is not recommended. The operating system will automatically install the necessary drivers.
3. Visit nextlevelracing.com/support-downloads to download and install the software, providing your product's serial number.

5 Maintenance

To reduce the risk of fire, keep the platform dust-free. To clean the unit, use a soft, dry cloth. Do not use solvents or cleaners that may corrode or otherwise damage aluminium, steel, or plastic parts of the platform.

If the connection rods do not move freely, or generate squeaky or clicking sounds, the rods ends may need lubricating. The rods are sufficiently lubricated upon delivery, but the lubricant may be forced out of pressure points overtime. If you suspect this is the case:

1. Unplug the power cable.
2. Check if the connection rod can be rotated freely by hand and if it does not generate any noises.
3. Rotate the connection rod to different positions and apply lubricant to the ball swivel (marked in YELLOW on the picture).
4. Repeat above steps until the problem is solved.



Do not, under any circumstances, allow the lubricant to get inside the motion platform from section because it might contaminate reference position sensor and affect the start-up calibration routine. In the worst case scenario, the motion platform will not be able to calibrate correctly and it will stop working until sensors are cleaned or replaced.

Recommended types of lubricants:

- Silicon-based lubricant
- Ball joint lubricant (automotive)
- WD-40 or similar if nothing else is available

6 Conformity Information



This device meets the basic requirements and other relevant regulations of the EMC Directive 2014/30/EU, the Low Voltage Directive 2014/35/EU, the Machinery Directive 2006/42/EC and the RoHS Directive 2011/65/EU. The Declaration of Conformity can be found on distributor website.

7 Environmental Impact and Disposal



Do not dispose of this product as unsorted municipal waste, use separate collection facilities. Contact your local authority for information regarding the collection systems available. If electrical appliances are disposed of in landfills or dumps, hazardous substances can leak into the groundwater and get into the food chain, damaging your health and well-being. Please contact your local or regional waste authority for more information on collection, reuse and recycling programs.

8 Warranty

This product comes with a 2 years limited warranty, starting on the day of purchase for personal use. For commercial customers, there is a 1 year limited warranty, starting on the date of purchase.

Within the warranty period, the product will be repaired or replaced free of charge, excluding shipping charges. No new warranty period commences if the product is repaired or replaced. Your statutory rights towards the seller are not affected or restricted by this warranty.

This warranty does not cover misuse, unauthorized modifications, and external causes such as acts of nature. This warranty does not cover normal wear and tear or damage to the platform or products in connection with the platform.

Next Level Racing, Motion Systems, and their partners are not liable for any indirect, incidental, or punitive damages from use of this product.

9 Troubleshooting and Support

Before you contact technical support:

1. Check if all the cables are properly connected.
2. Turn off the PC and the platform, restart, and try again.
3. If your platform suddenly stops responding, this may be a result of thermal protection being activated. Turn it off, let it cool off for at least 15 minutes, and try again.

If you require further assistance, contact technical support at **support@nextlevelracing.com**.



Any warranty and non-warranty repairs should be performed by the distributor's service department or a qualified technician, authorized by Next Level Racing.

10 Customer Feedback

The Next Level Motion Platform is the world's first affordable, plug-and-play consumer motion platform. Since the very first release, we have used feedback from our customers to drive innovation and continually improve our products. We design and engineer our products purely for the enjoyment of our customers, and that is why we always encourage our customers to send us their comments and suggestions. Let us know about your experience: **support@nextlevelracing.com**

Software download: **nextlevelracing.com/support-downloads**

