

next level RACING

®

INSTRUCTION MANUAL FOR NEXT LEVEL RACING® CHALLENGER COCKPIT



For assistance please contact: support@nextlevelracing.com
www.nextlevelracing.com



CHALLENGER COCKPIT

Thank-you for purchasing a



CHALLENGER

If you require any support with your product please contact our friendly team at:

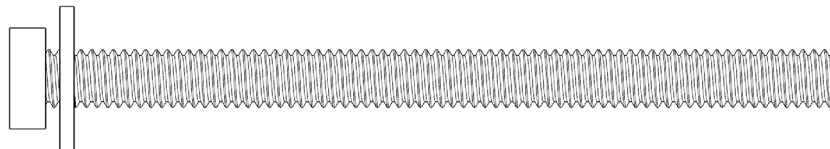
support@nextlevelracing.com for a prompt response.



WARNING



- Please do not use power tools for assembly as over tightening can damage your frame.
- During assembly please be sure to have a washer positioned at the front of every bolt as pictured below.



CAUTION

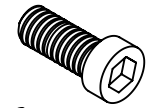
Heavy product once assembled.
2 person lift required.



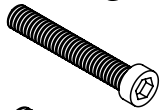
WARNING

CHOKING HAZARD - Small parts not for children under 3 years or any individuals who have a tendency to place inedible objects in their mouths

What's In The Box:

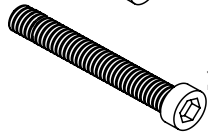


14 X M8 15MM

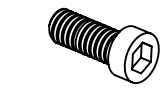


8 X M8 20MM

10 X M8 30MM



19 X M8 60MM



2 X M8 110MM



10 X M6 15MM

36 X M8 WASHERS

10 X M6 WASHERS



20 X M8 NUTS

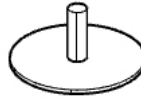
4 X M6 NUTS



4 X TWIST KNOBS



5 X CABLE MANAGEMENT CLIPS



6 X ADJUSTABLE FEET



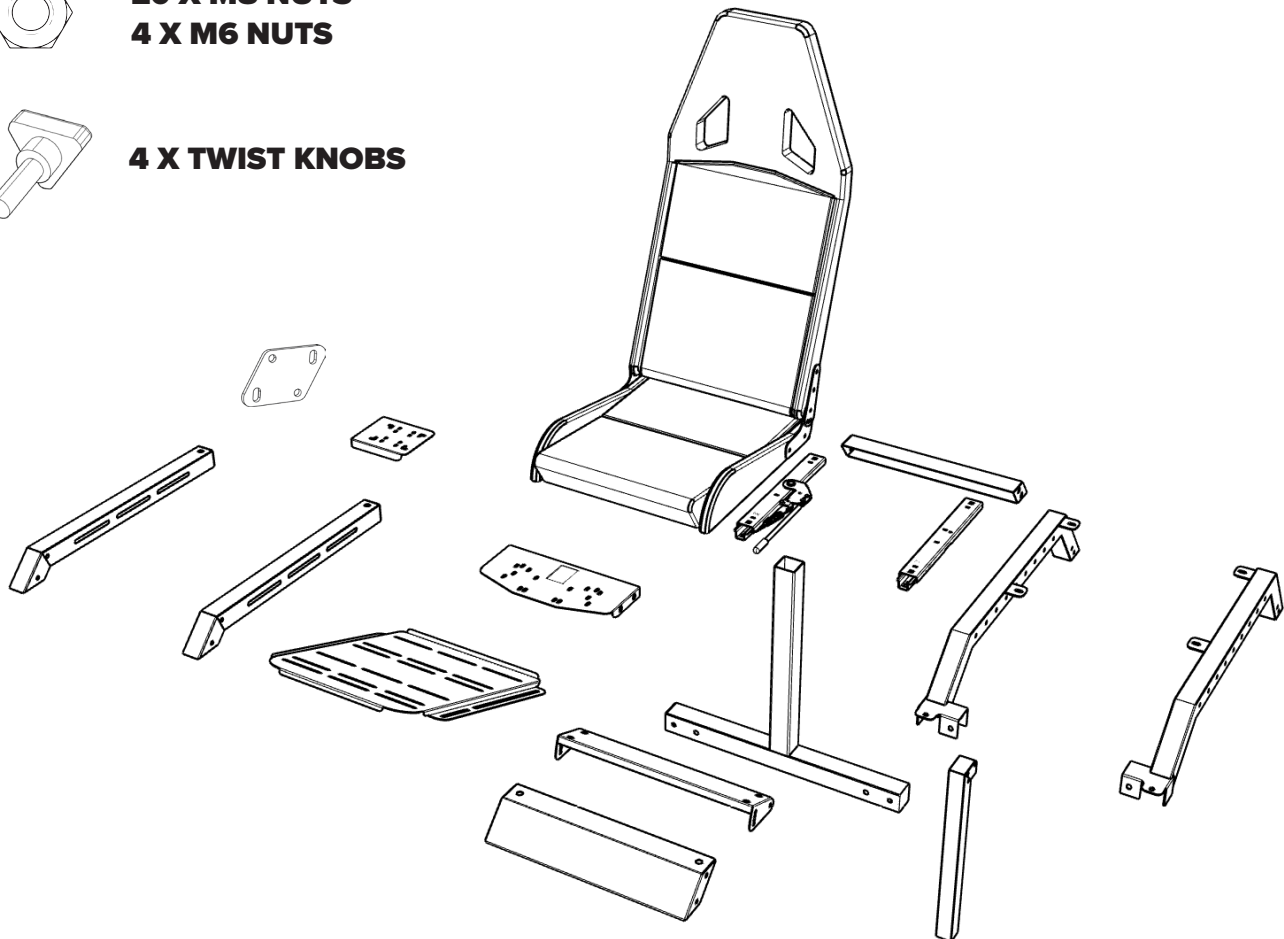
1 X M8 ALLEN KEY



1 X M6 ALLEN KEY

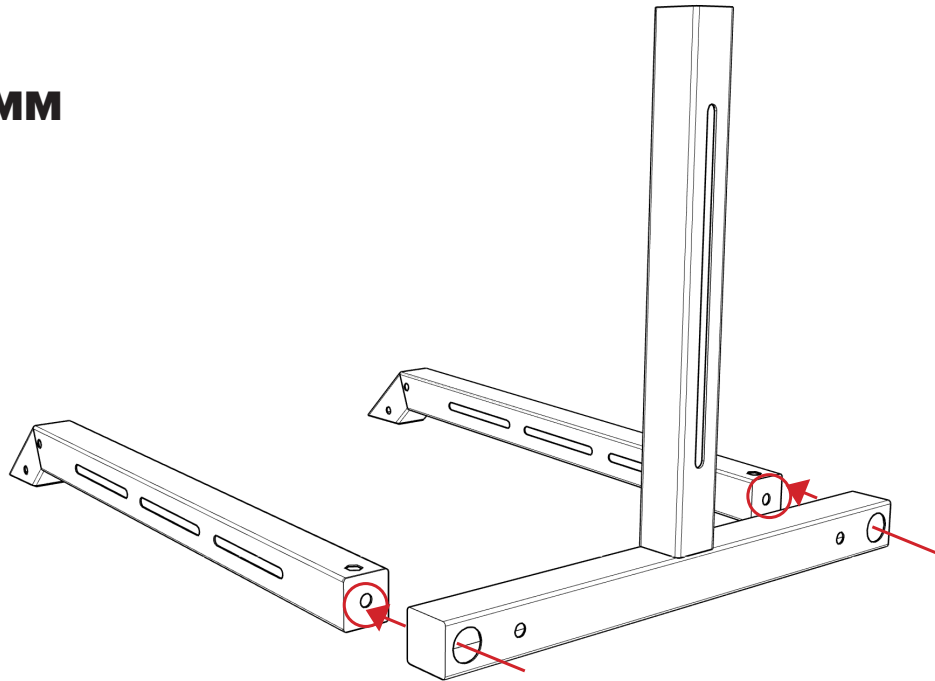
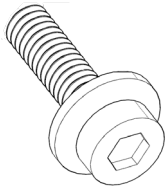


1 X WRENCH



Step 1:

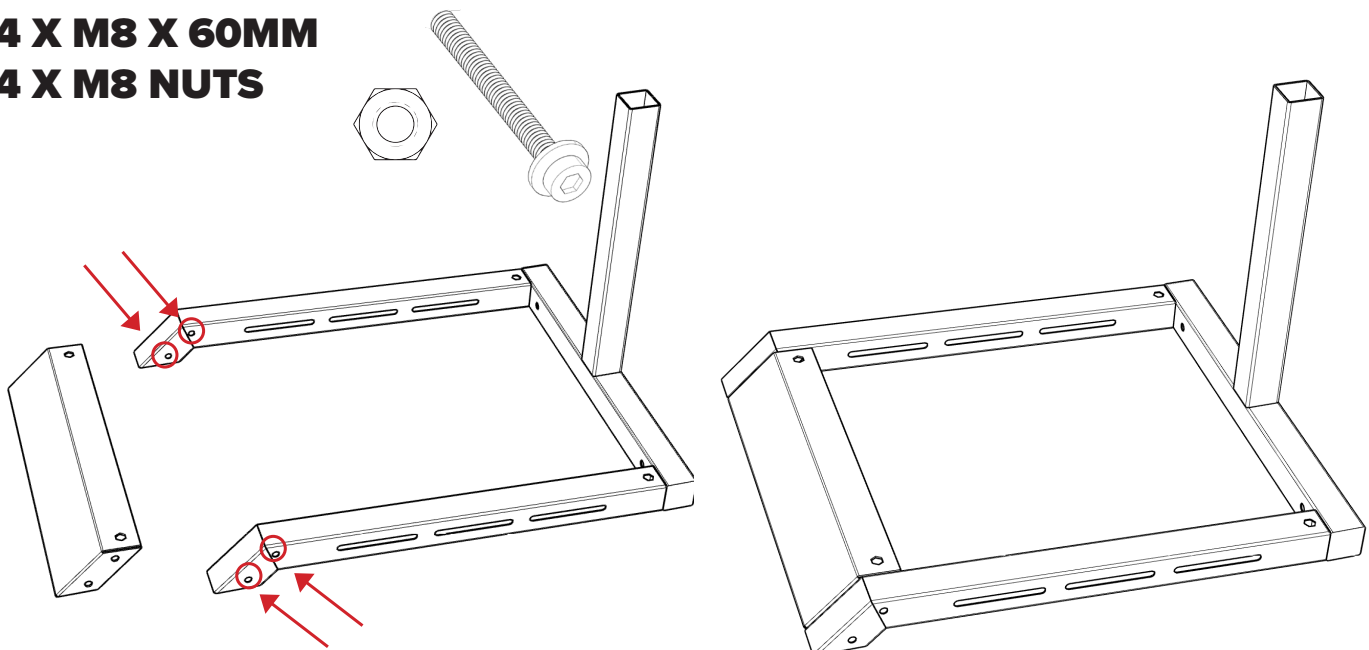
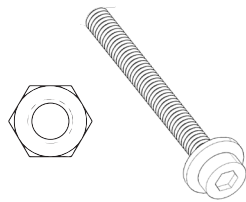
2 X M8 X 15MM



Step 2:

4 X M8 X 60MM

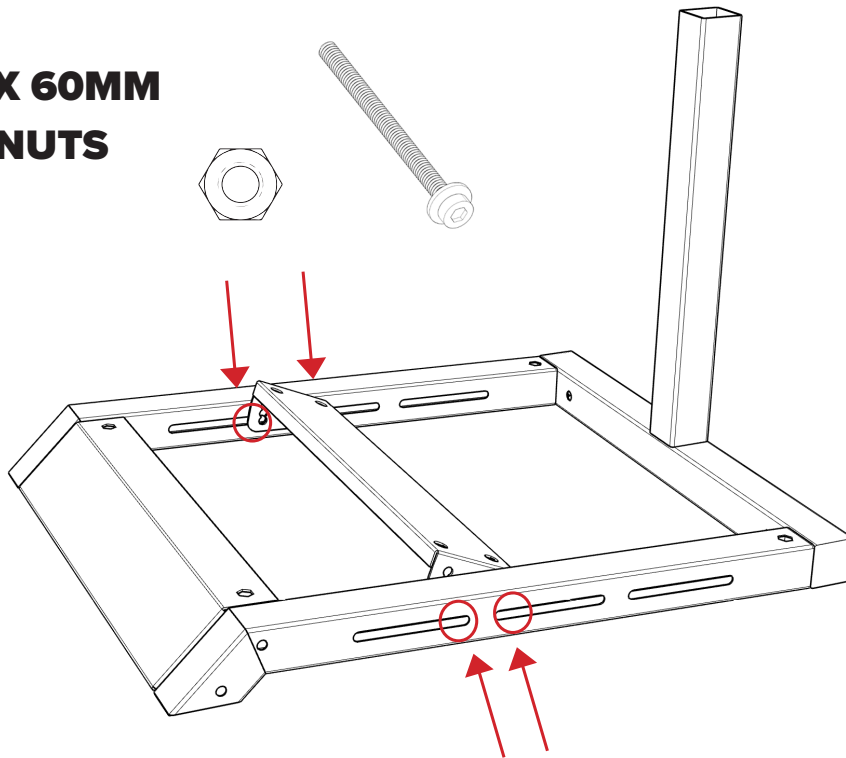
4 X M8 NUTS



Step 3:

4 X M8 X 60MM

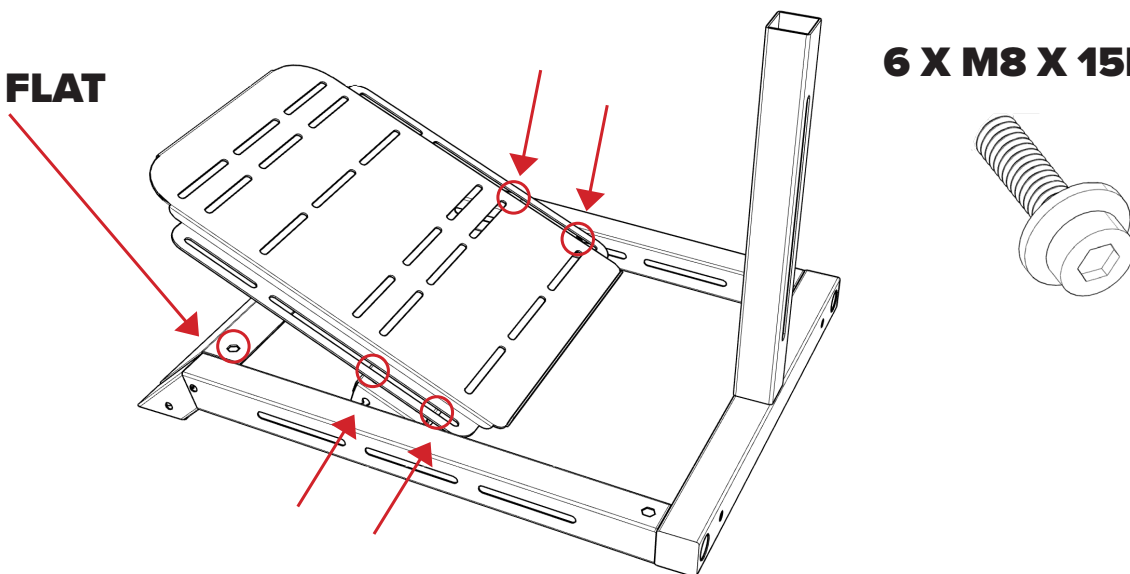
4 X M8 NUTS



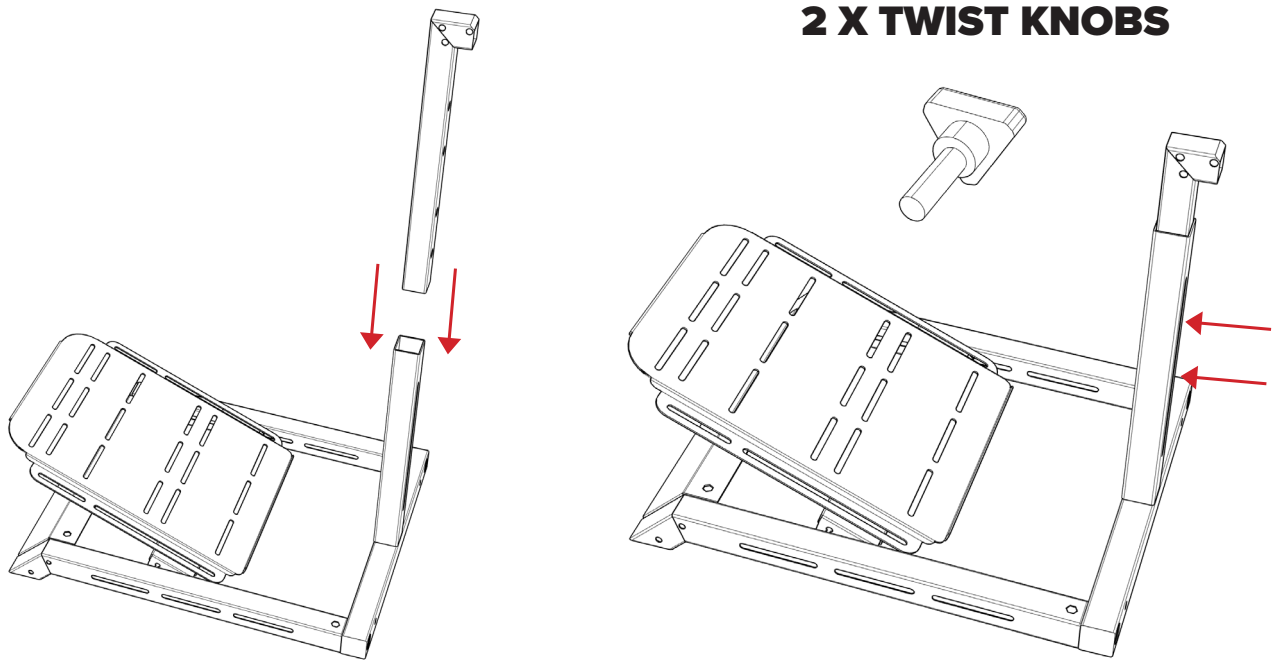
Step 4:

WHEN FLAT

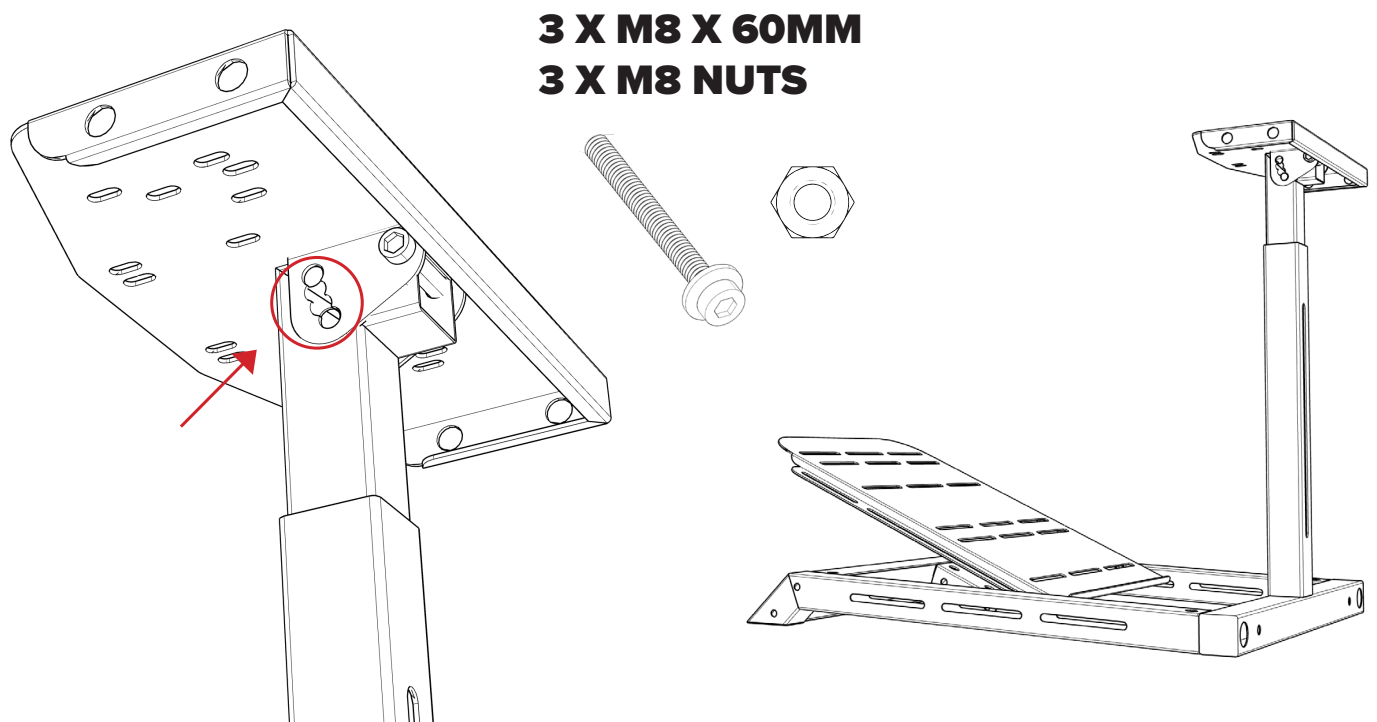
6 X M8 X 15MM



Step 5:

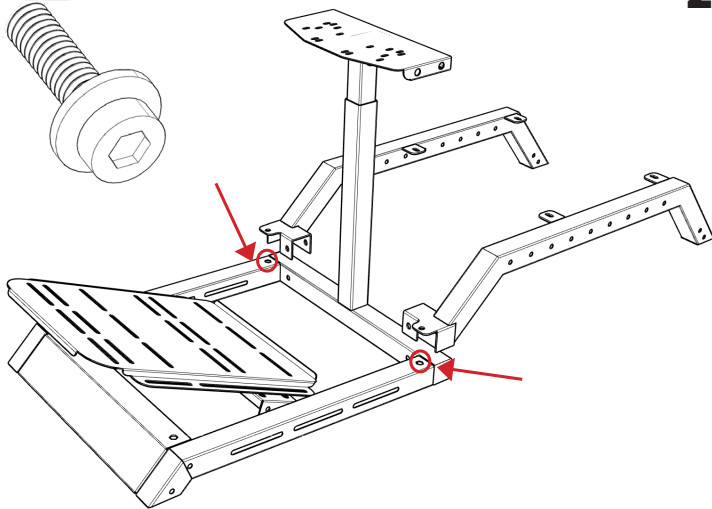


Step 6:

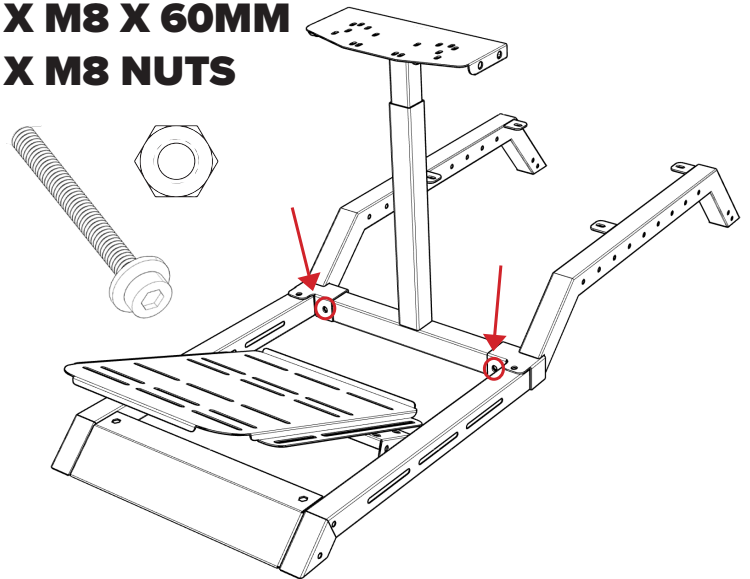


Step 7:

2 X M8 X 15MM

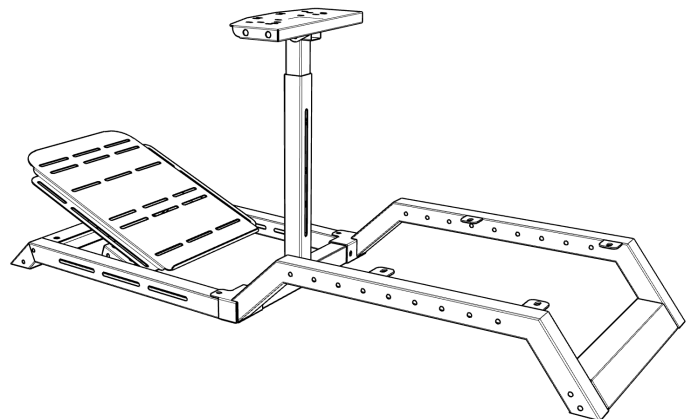
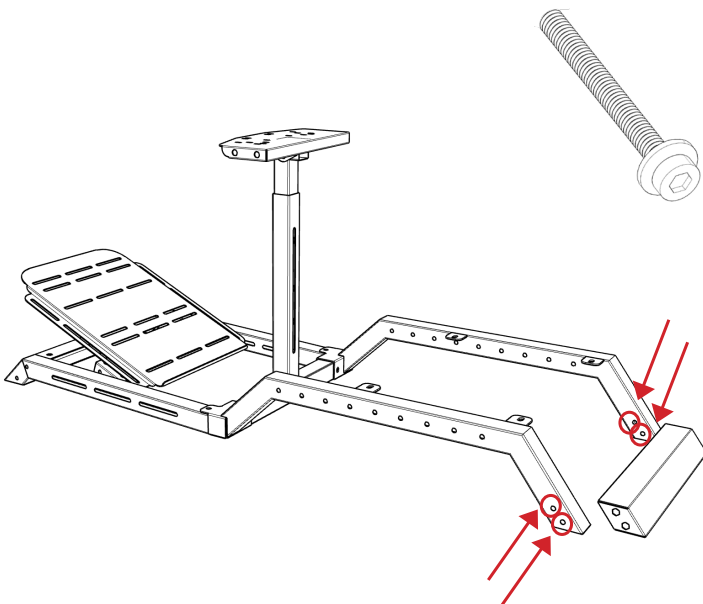


2 X M8 X 60MM
2 X M8 NUTS



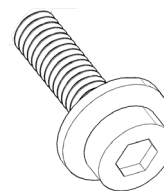
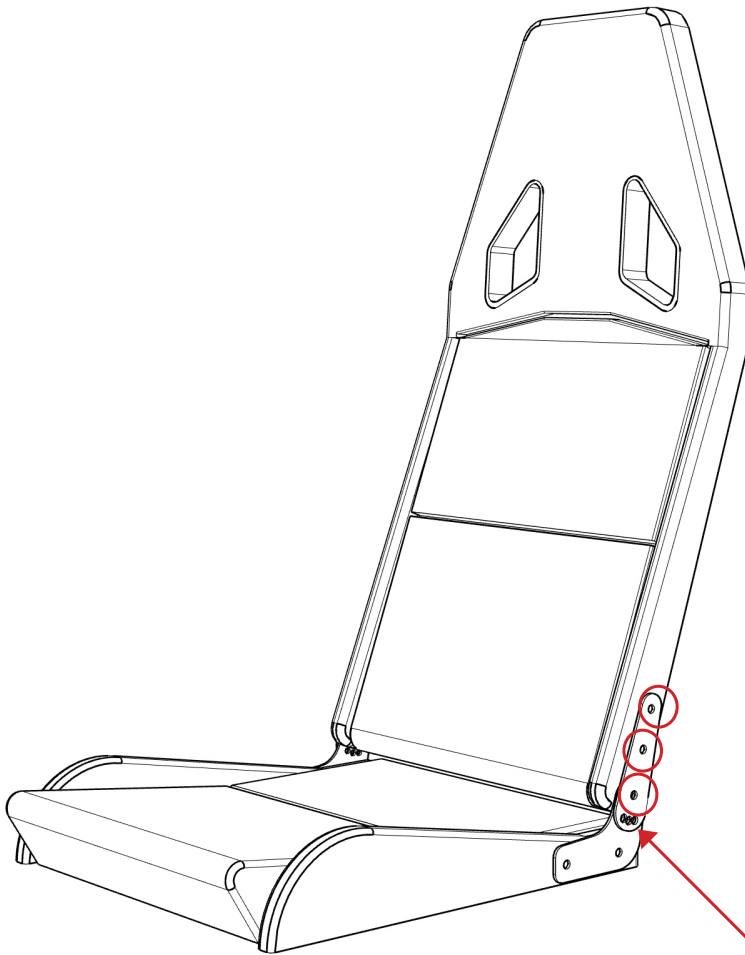
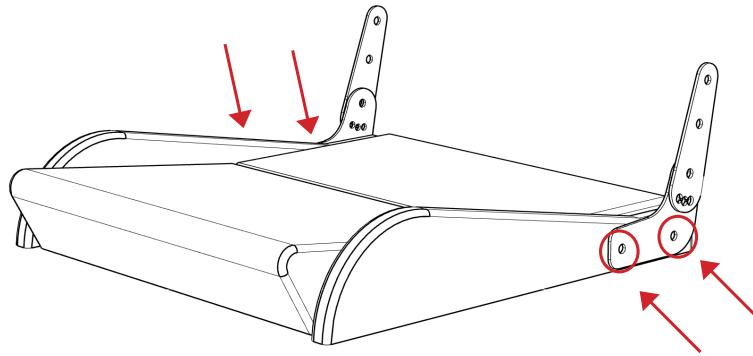
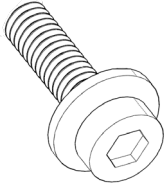
Step 8:

4 X M8 X 60MM

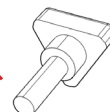


Step 9:

4 X M8 X 30MM



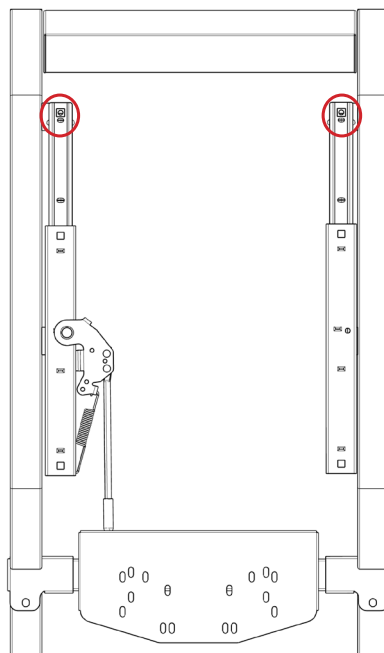
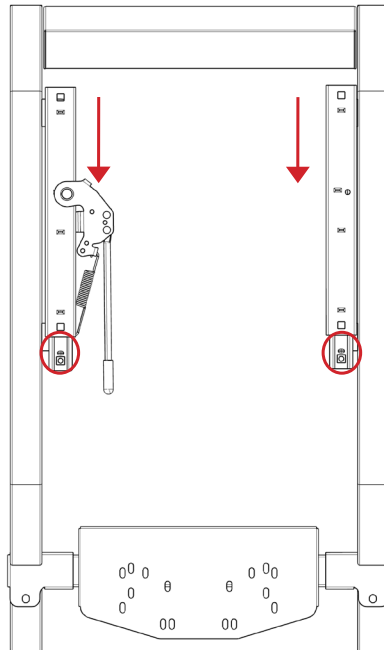
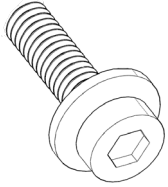
6 X M8 X 30MM



2 X TWIST KNOBS

Step 10:

4 X M8 X 20MM

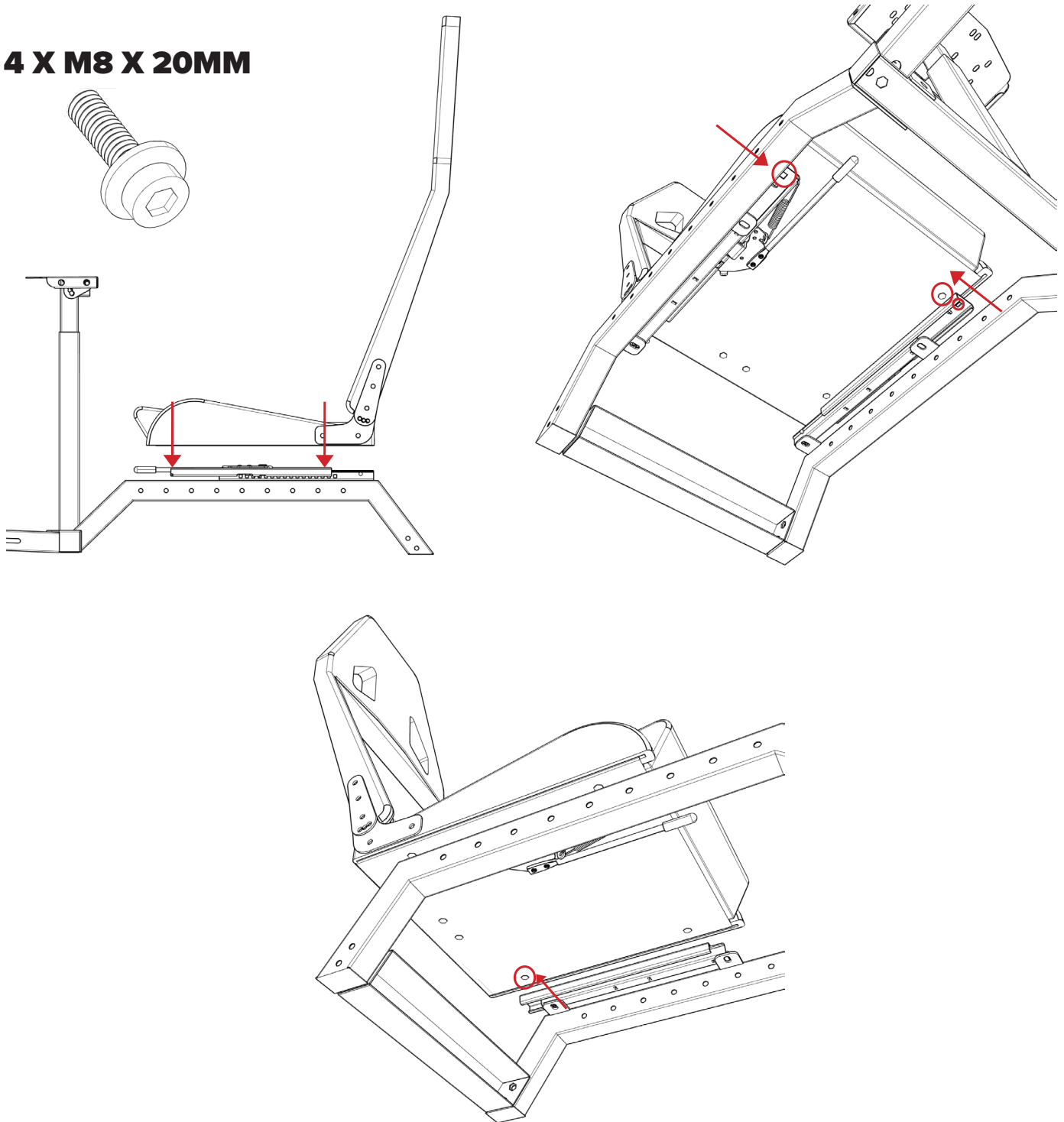


ASSEMBLY VIDEO

www.nextlevelracing.com/next-level-racing-video-instructions-and-tips/

Step 11:

4 X M8 X 20MM

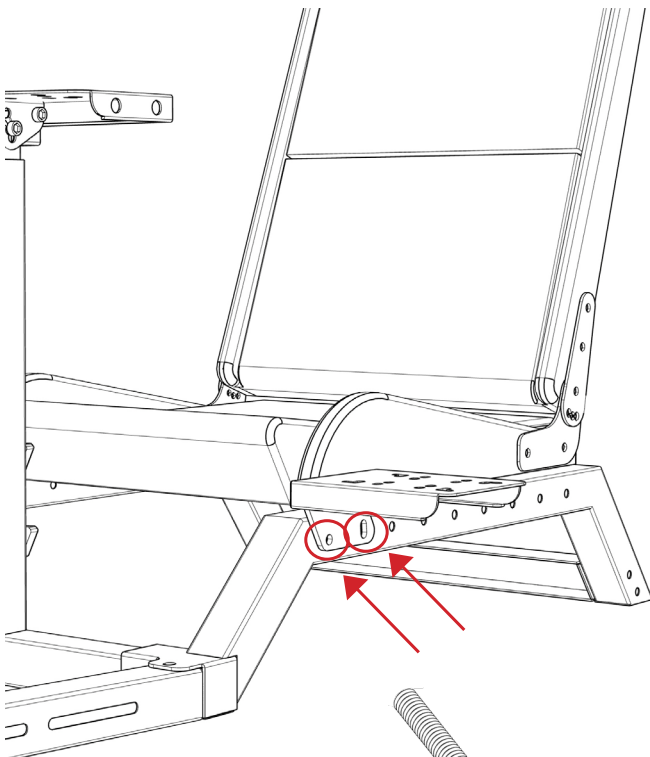
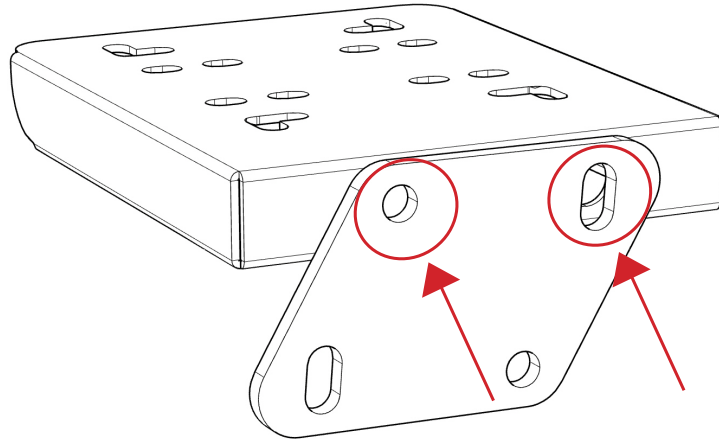
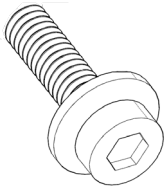


ASSEMBLY VIDEO

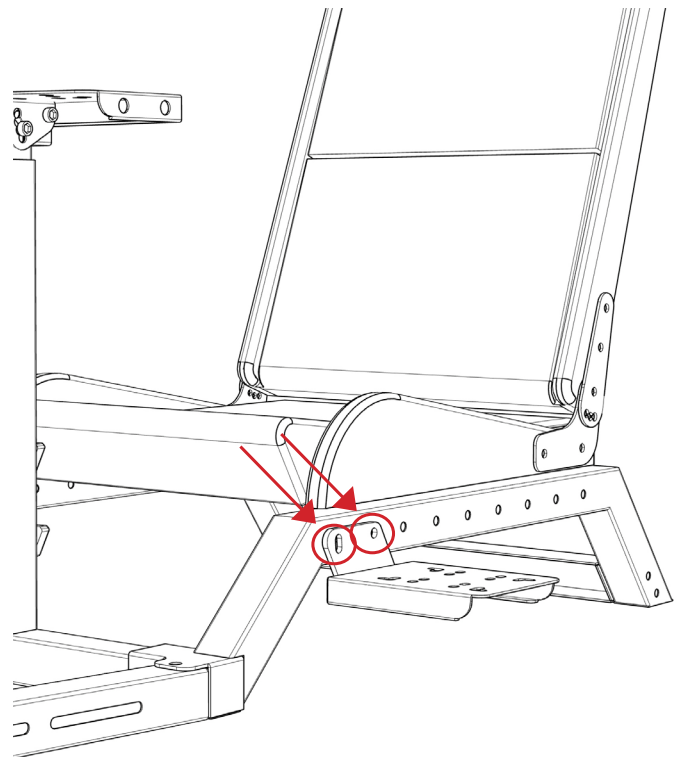
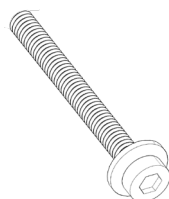
www.nextlevelracing.com/next-level-racing-video-instructions-and-tips/

Step 12: OPTION 1

2 X M8 X 15MM

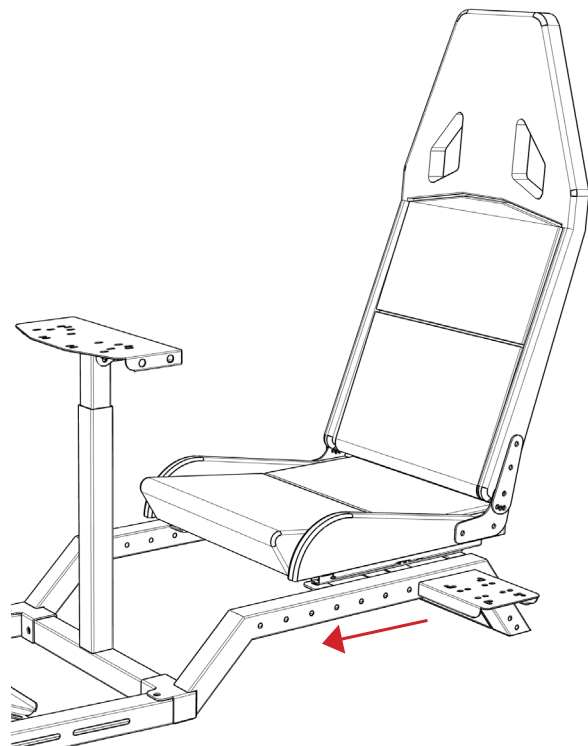
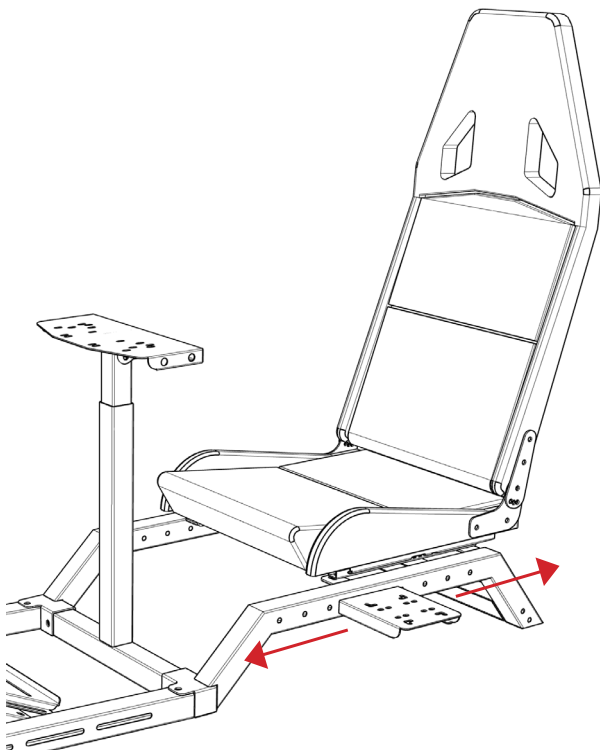
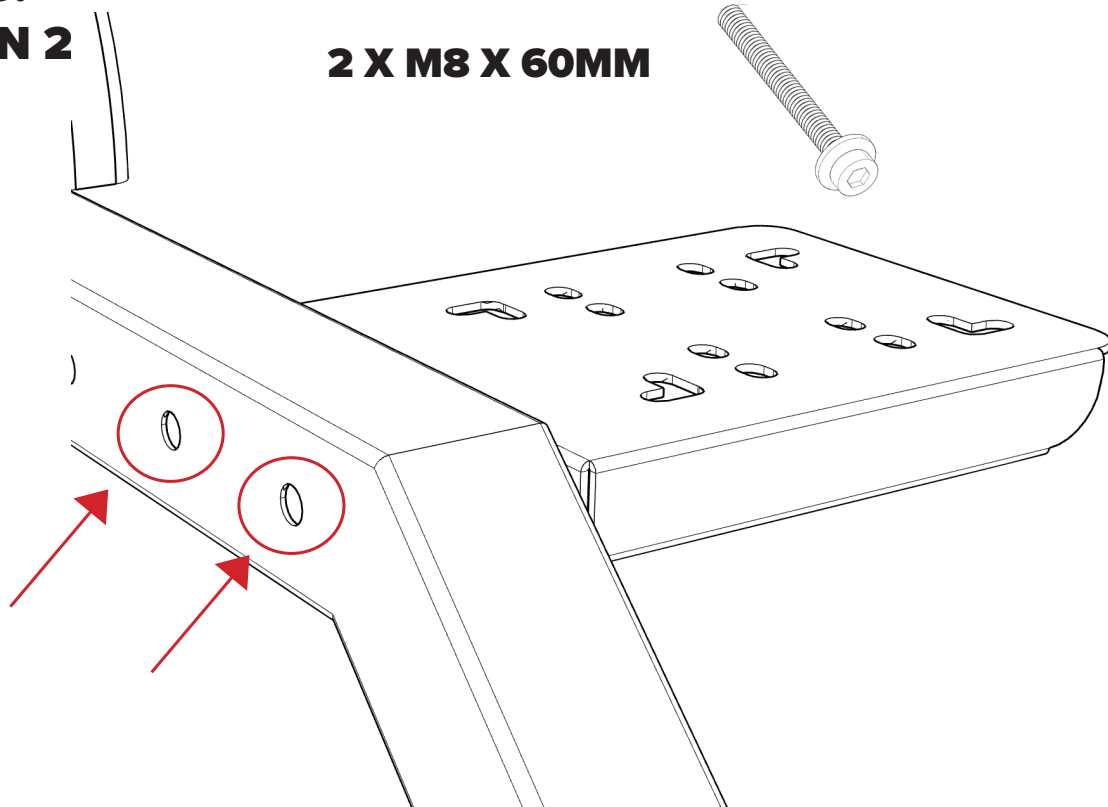


2 X M8 X 60MM



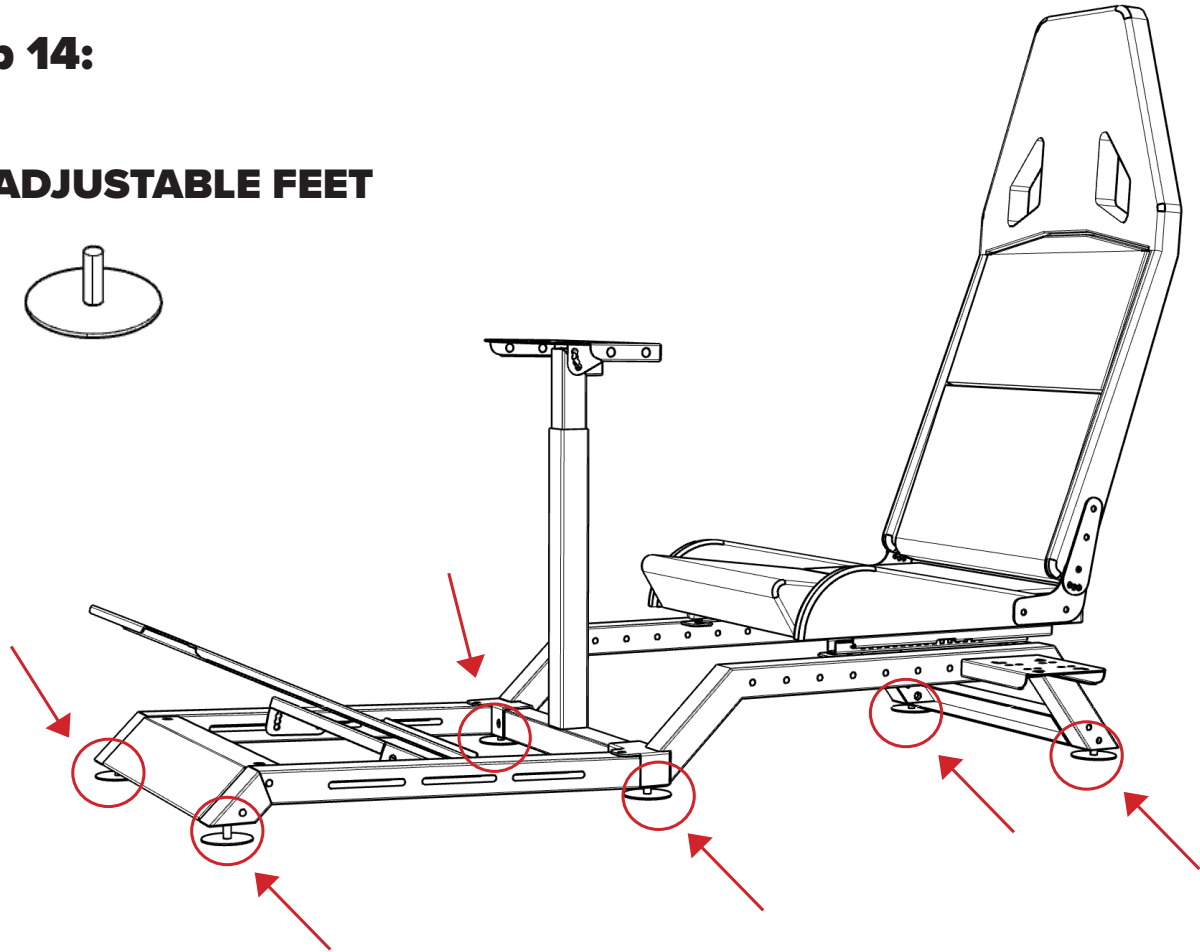
Step 13:
OPTION 2

2 X M8 X 60MM



Step 14:

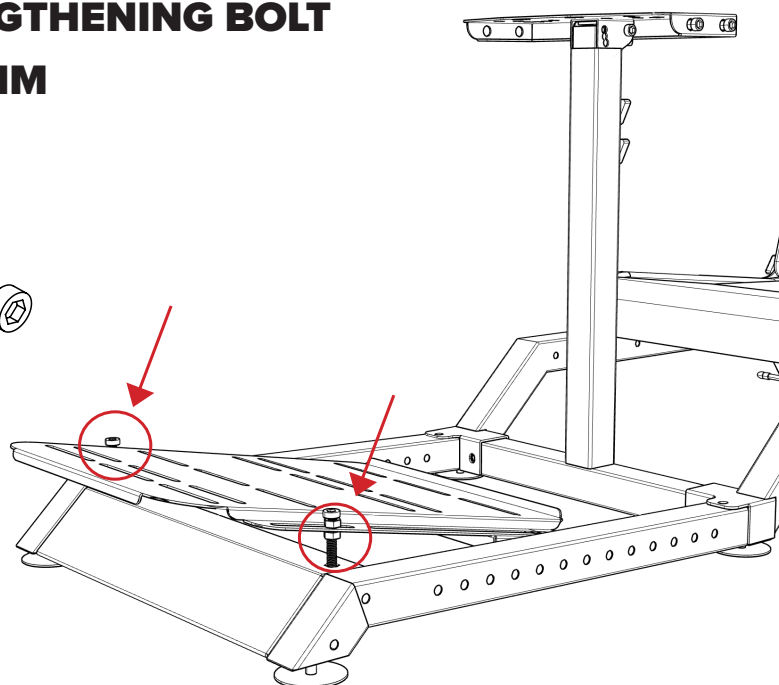
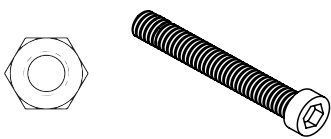
6 X ADJUSTABLE FEET



PEDAL STRENGTHENING BOLT

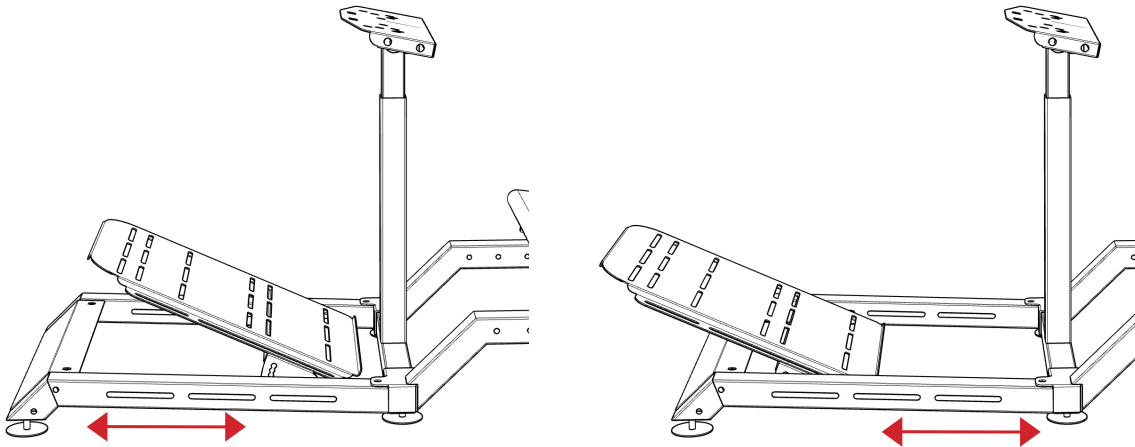
2 X M8 X 110MM

4 X M8 NUTS



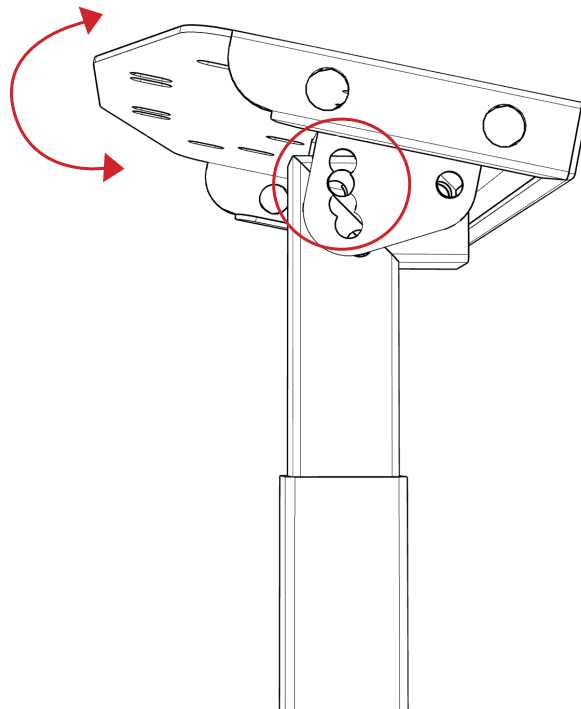
HINTS AND TIPS

PEDAL PLATE DISTANCE

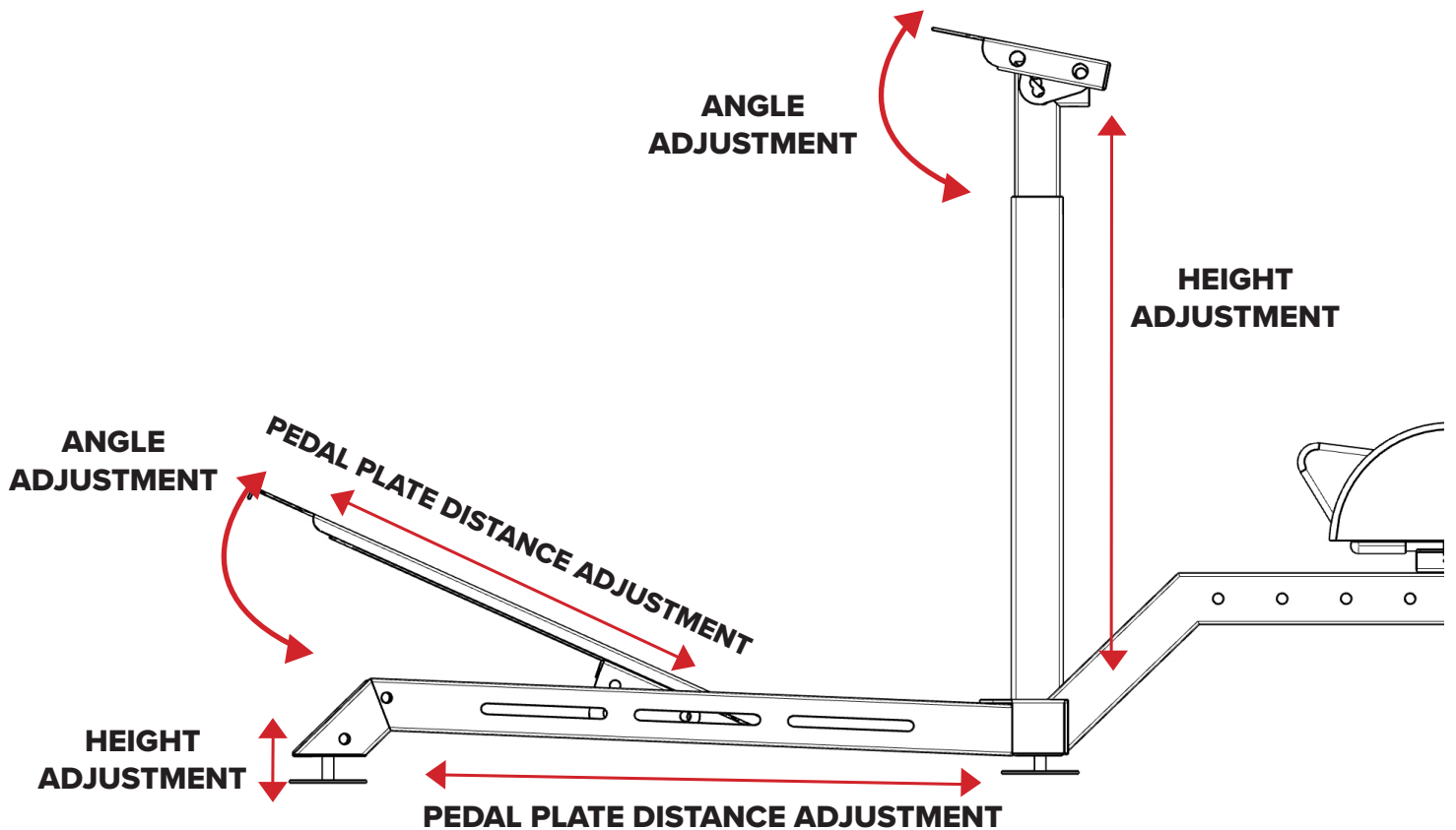


WHEEL ANGLE ADJUSTMENT

REMOVE 1 BOLT WHEN ADJUSTING ANGLE



HINTS AND TIPS





CHALLENGER COCKPIT

NEED ASSISTANCE?

If you require any support with your product please contact our friendly team at:

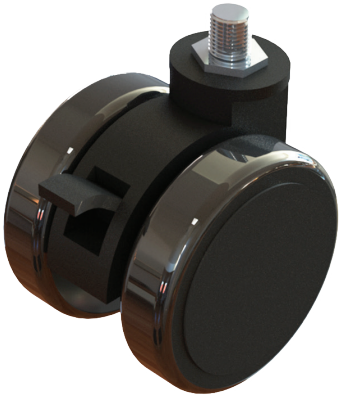
support@nextlevelracing.com

for a prompt response.



ASSEMBLY VIDEO:





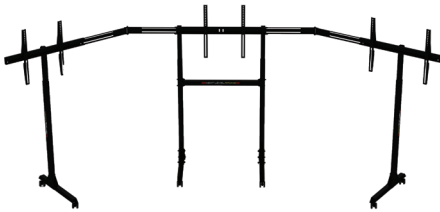
LOCKABLE CASTOR WHEELS



FLOOR MAT



**SINGLE FREE STANDING
MONITOR STAND**



**TRIPLE FREE STANDING
MONITOR STAND**



GT ULTIMATE COCKPIT



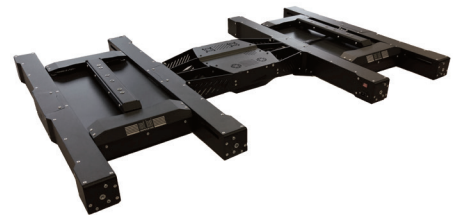
GT TRACK COCKPIT



F-GT COCKPIT



MOTION PLATFORM V3



TRACTION PLUS MOTION



USER NOTES

next level RACING



For assistance please contact: support@nextlevelracing.com